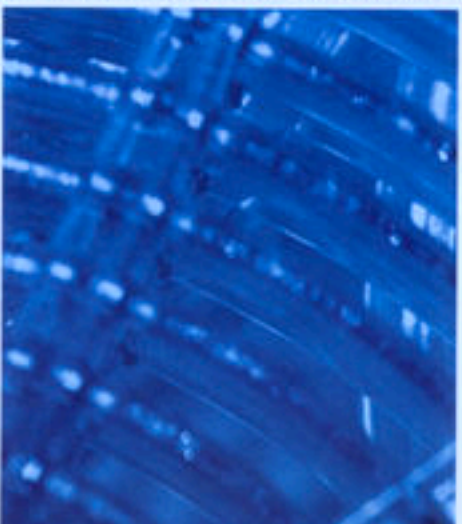


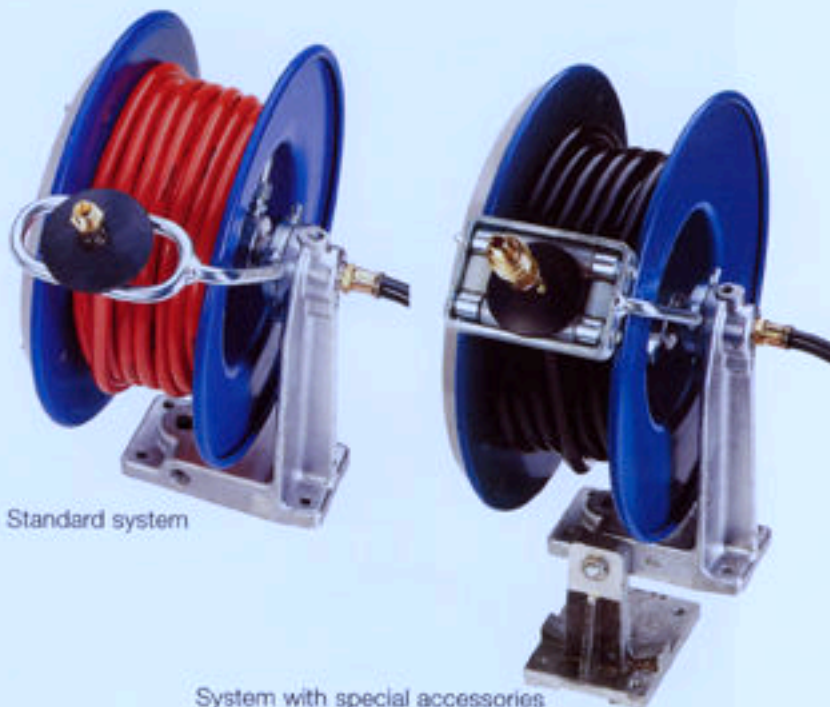
...mehr als nur aufgerollt.



BT3000 Series Hose Drum

... the flexible connection from the fixed compressed air supply line to the tool.

for hose lengths of 3 m - 20 m.



Standard system

System with special accessories

Benefits:

Tried-and-tested system based on decades of experience;

Sturdy metal construction with maintenance-free bearing;

Plastic-coated surfaces;

Internal disconnectable ratchet with

16 positions per revolution;

High-quality PVC hoses with NW6 and NW9;

Upgrade accessories for each specific operational requirement.



BT 3000 Series Hose Drum

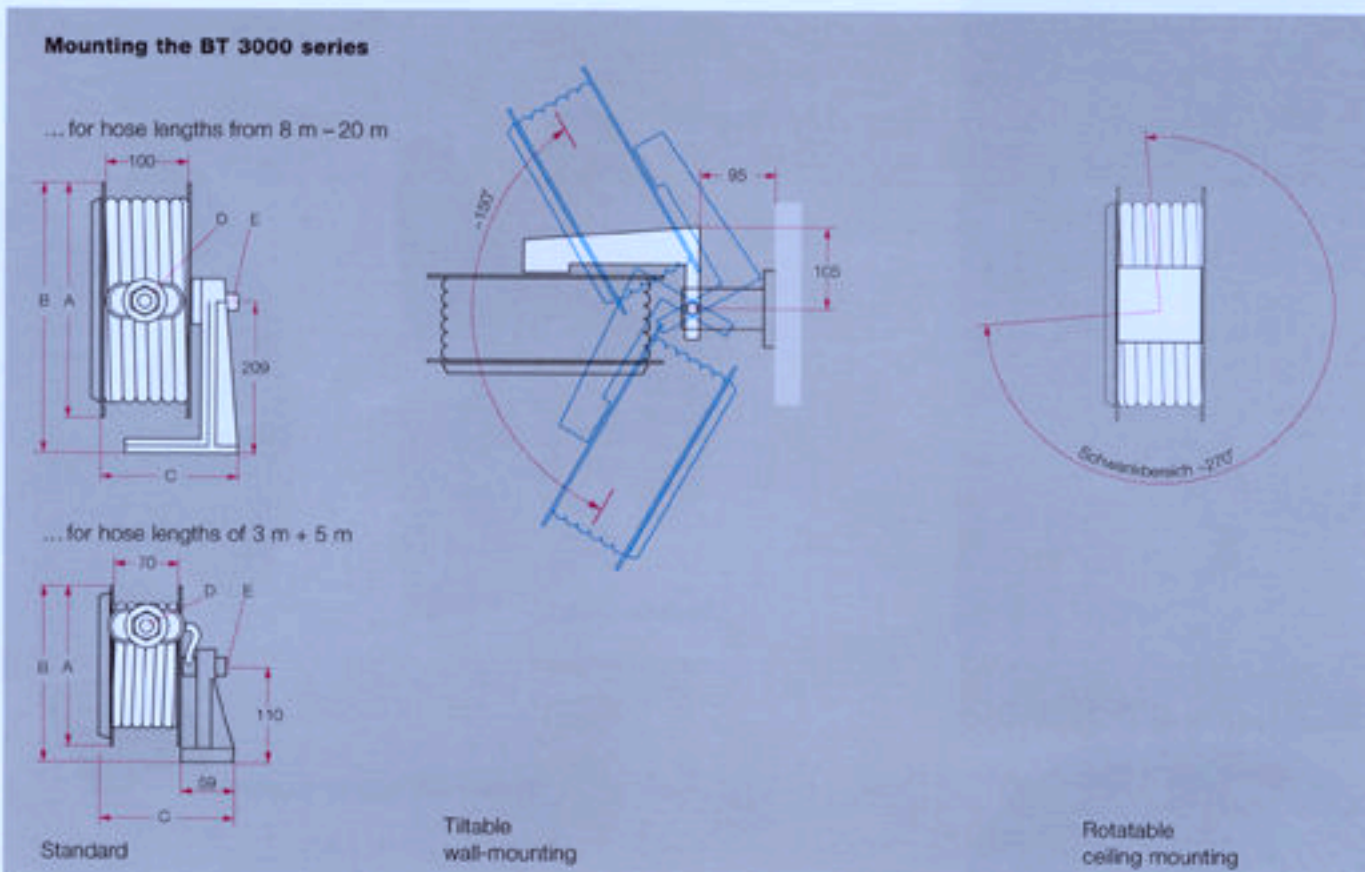
... the flexible connection from the fixed compressed air supply line to the

Technical details

Operating pressure: 20 bar, higher pressure possible for special designs;

For static, tiltable wall mounting or ceiling mounting rotatable through 270°;

Special accessories: W-plate for tiltable wall mounting, C-plate for ceiling mounting, quick connection joint and plug-in nipple for NW6 and NW9.



model	hose length / DN (m) / (mm)		operating pressure bar	screw connection D	input E	size A mm	size B mm	size C mm	weight approx. kg
BT 3056	5	6	20	G 1/4*a	G 3/8*i	180	200	150	3,5
BT 3126	12	6	20	G 1/4*a	G 3/8*i	300	360	190	8,5
BT 3156	15	6	20	G 1/4*a	G 3/8*i	340	375	190	10,5
BT 3206	20	6	20	G 1/4*a	G 3/8*i	340	375	190	11,5
BT 3039	3	9	20	G 3/8*a	G 3/8*i	180	200	150	3,5
BT 3089	8	9	20	G 3/8*a	G 3/8*i	300	360	190	7,5
BT 3129	12	9	20	G 3/8*a	G 3/8*i	340	375	190	11
BT 3159	15	9	20	G 3/8*a	G 3/8*i	340	375	190	11
BT 30813 ÖI	8	13	20	G 1/2*a	G 1/2*i	340	375	190	12

We reserve the right to make technical changes.



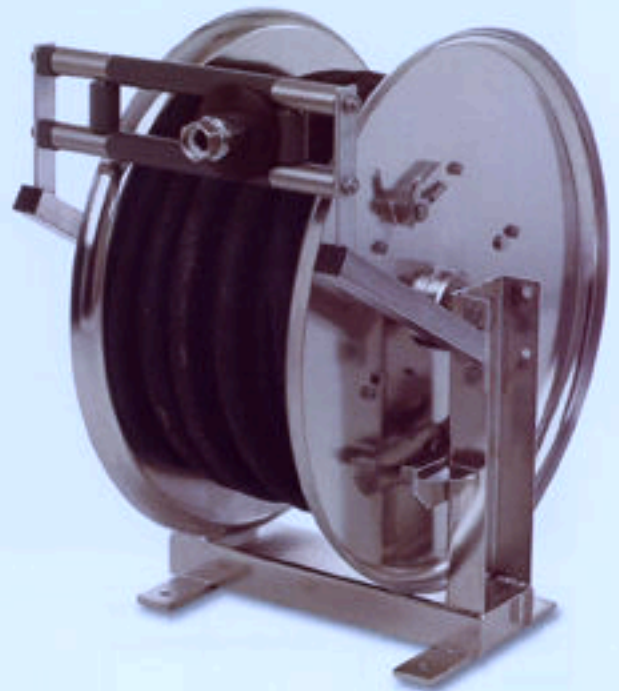
Braunwarth & Co. Apparatebau

Heiligenbreite 46, D-88662 Überlingen
 Postfach 101153, D-88641 Überlingen
 Tel. ++ 49 (0) 75 51 / 9 18 79-0, Fax 9 18 79-27
 Internet: www.braunwarth.com
 E-mail: info@braunwarth.com

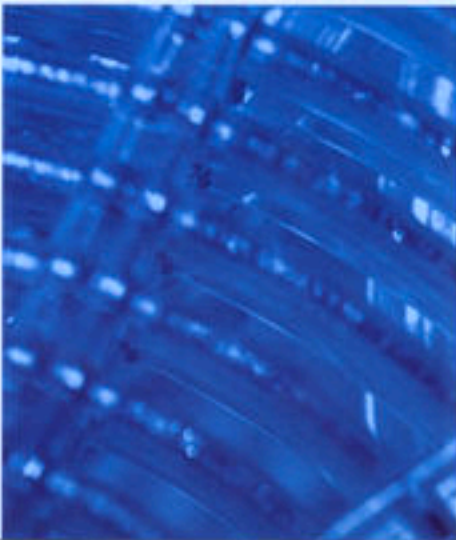
VA 6000 Series Stainless Steel Hose Drum

... the flexible connection from the fixed
supply line to the location of use.

for hose lengths of 20 m - 50 m.



...mehr als nur aufgerollt.



Benefits:

Special system for hygienic operations such as hospitals,
industrial kitchens, slaughter houses ...

... and for the production of caustic media,
e.g. the chemical industry;

100 % stainless steel construction;

Ratchet with 2 positions per revolution;

Quick-change hose system,
available with or without hose;

Special designs possible depending on operation requirements.



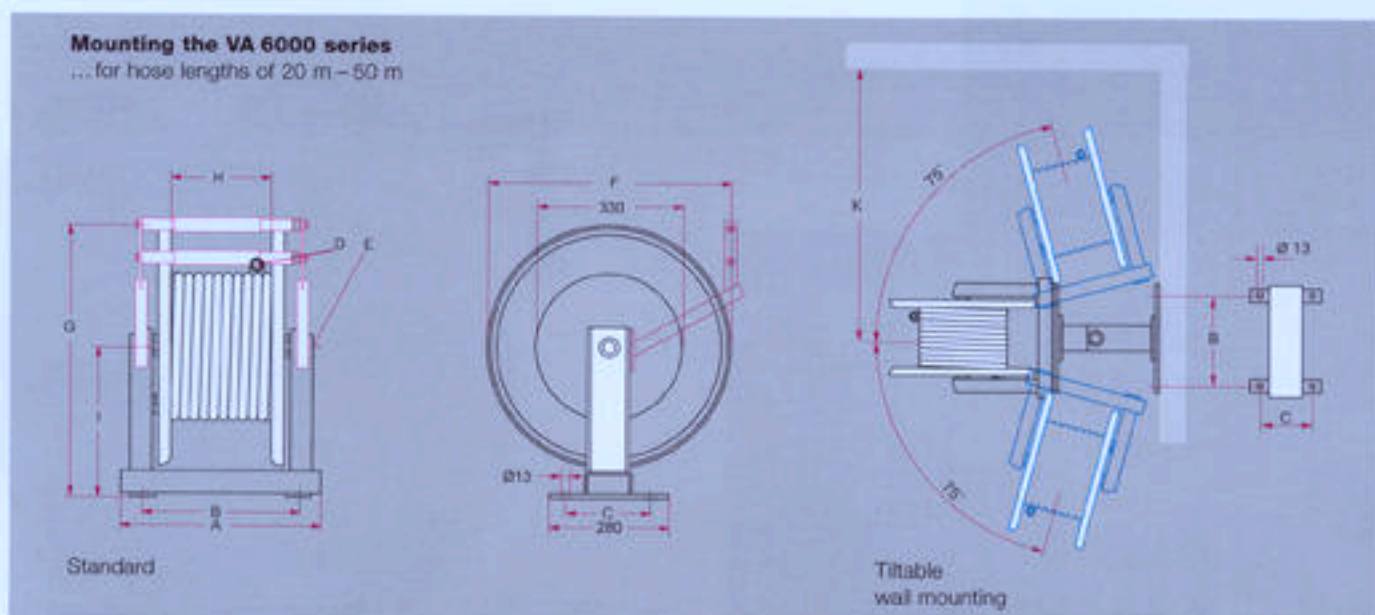
VA 6000 Series Stainless Steel Hose Drum

... Special system for hygienic operations and caustic media.

Technical details

Operating pressure 30 bar, available AS 250 bar high-pressure model;
 Open construction; suitable for floor, ceiling or wall mounting, tiltable wall mounting also possible;
 simple and reliable locking mechanism.

Special accessories: W-plate for tiltable wall mounting, special hose-roll guidance system (marked red in the diagram).



model Best.-Nr. approx.	hose length (m)	hose insidediameter (mm)		operating pressure bar	dimensions mm												weight kg
		*	*		A	B	C	F	G	H	I	E	D	K	M		
VA 6.25.13	25	13	1/2"	30	440	360	230	520	615	233	345	G 3/4"	G 1/2"	570	570	42	
VA 6.40.13	40	13	1/2"	30	440	360	230	550	625	233	345	G 3/4"	G 1/2"	600	600	61	
VA 6.50.13	50	13	1/2"	30	440	360	230	620	700	233	390	G 3/4"	G 1/2"	670	600	63	
VA 6.20.19	20	19	3/4"	30	440	360	230	550	625	233	345	G 1"	G 3/4"	600	600	43	
VA 6.30.19	30	19	3/4"	30	440	360	230	620	700	233	390	G 1"	G 3/4"	670	670	50	
VA 6.40.19	40	19	3/4"	30	440	360	230	620	700	233	390	G 1"	G 3/4"	670	670	63	
VA 6.50.19	50	19	3/4"	30	440	360	230	700	780	233	430	G 1"	G 3/4"	750	750	65	
VA 6.20.25	20	25	1"	30	440	360	230	620	700	233	390	G 1"	G 1"	670	670	48	
VA 6.30.25	30	25	1"	30	600	530	230	620	700	390	390	G 1"	G 1"	670	670	70	
VA 6.40.25	40	25	1"	30	600	530	230	650	735	390	410	G 1"	G 1"	670	670	70	
VA 6.50.25	50	25	1"	30	600	530	230	650	735	390	410	G 1"	G 1"	700	700	70	
VA 6.10.32	10	32	1 1/4"	30	440	360	230	620	700	233	390	G 1 1/4"	G 1 1/4"	670	670	50	
VA 6.20.32	20	32	1 1/4"	30	600	530	230	620	700	390	390	G 1 1/4"	G 1 1/4"	670	670	70	
VA 6.30.32	30	32	1 1/4"	30	600	530	230	650	735	390	410	G 1 1/4"	G 1 1/4"	700	700	72	
VA 6.40.32	40	32	1 1/4"	30	600	530	230	700	780	390	430	G 1 1/4"	G 1 1/4"	750	750	73	
VA 6.10.38	10	38	1 1/2"	30	440	360	230	620	700	233	390	G 1 1/2"	G 1 1/2"	670	670	52	

We reserve the right to make technical changes.

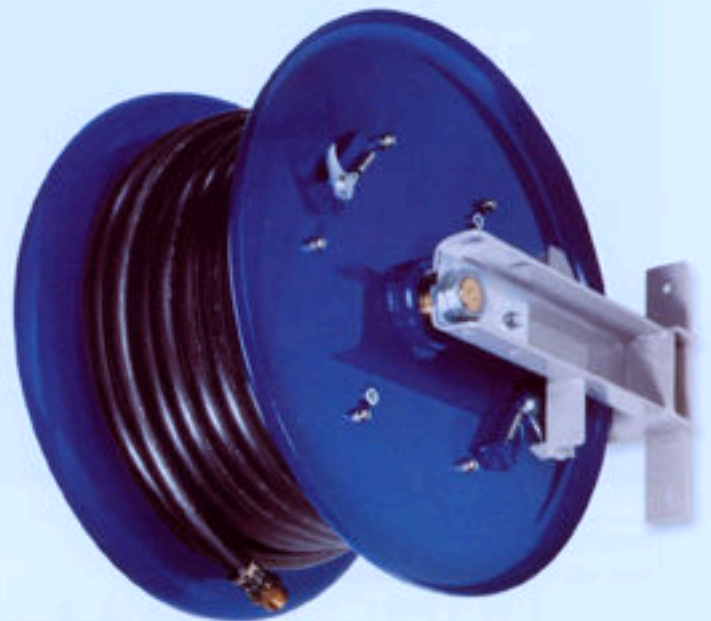


Braunwarth & Co. Apparatebau
 Heiligenbreite 46, D-88662 Überlingen
 Postfach 101153, D-88641 Überlingen
 Tel. ++ 49 (0) 75 51 / 9 18 79-0, Fax 9 18 79-27
 Internet: www.braunwarth.com
 E-mail: info@braunwarth.com

BT6000 Series Hose Drum

... the flexible connection
from the fixed supply line to the location
of use or the tool for oil, water or compressed
air.

for hose lengths of 20 m - 50 m.



...mehr als nur aufgerollt.

Benefits:

Tried-and-tested system based on decades of experience;

Sturdy metal construction with maintenance-free bearing;

Plastic-coated surfaces;

Ratchet with 2 positions per revolution;

Integrated hose-roll guidance system;

Large media throughlet corresponding to DN;

Special designs possible
depending on operational requirements.



BT 6000 Series Hose Drum

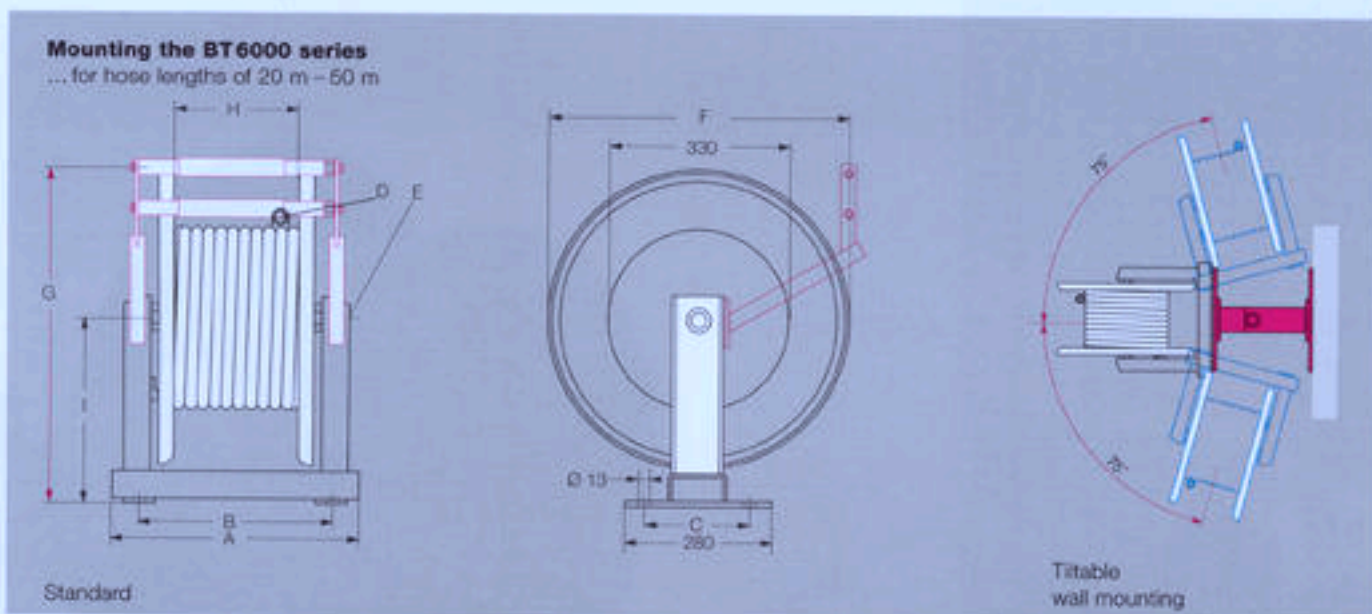
... the flexible connection from the fixed supply line to the location of use or the tool for oil, water or compressed air.

Technical details

Operating pressure for all media 30 bar;

Open construction; suitable for floor, ceiling or wall mounting, tiltable wall mounting also possible;

Special accessories: W-plate for tiltable wall mounting, special hose-roll guidance system (marked red on the diagram).



model Best.-Nr.	length (m)	hose-		operating pressure bar	dimensions										weight approx. kg
		insidediameter (mm)	*		mm										
			*		A	B	C	F	G	H	I	E	D		
BT 6.25.13	25	13	1/2"	30	440	360	230	520	615	233	345	G 3/4"	G 1/2"	42	
BT 6.40.13	40	13	1/2"	30	440	360	230	550	625	233	345	G 3/4"	G 1/2"	61	
BT 6.50.13	50	13	1/2"	30	440	360	230	620	700	233	390	G 3/4"	G 1/2"	63	
BT 6.20.19	20	19	3/4"	30	440	360	230	550	625	233	345	G 1"	G 3/4"	43	
BT 6.30.19	30	19	3/4"	30	440	360	230	620	700	233	390	G 1"	G 3/4"	50	
BT 6.40.19	40	19	3/4"	30	440	360	230	620	700	233	390	G 1"	G 3/4"	63	
BT 6.50.19	50	19	3/4"	30	440	360	230	700	780	233	430	G 1"	G 3/4"	65	
BT 6.20.25	20	25	1"	30	440	360	230	620	700	233	390	G 1"	G 1"	48	
BT 6.30.25	30	25	1"	30	600	530	230	620	700	390	390	G 1"	G 1"	70	
BT 6.40.25	40	25	1"	30	600	530	230	650	735	390	410	G 1"	G 1"	70	
BT 6.50.25	50	25	1"	30	600	530	230	650	735	390	410	G 1"	G 1"	70	
BT 6.10.32	10	32	1 1/4"	30	440	360	230	620	700	233	390	G 1 1/4"	G 1 1/4"	50	
BT 6.20.32	20	32	1 1/4"	30	600	530	230	620	700	390	390	G 1 1/4"	G 1 1/4"	70	
BT 6.30.32	30	32	1 1/4"	30	600	530	230	650	735	390	410	G 1 1/4"	G 1 1/4"	72	
BT 6.40.32	40	32	1 1/4"	30	600	530	230	700	780	390	430	G 1 1/4"	G 1 1/4"	73	
BT 6.10.38	10	38	1 1/2"	30	440	360	230	620	700	233	390	G 1 1/2"	G 1 1/2"	52	
BT 6.20.38	20	38	1 1/2"	30	600	530	230	650	735	390	410	G 1 1/2"	G 1 1/2"	70	

Technische Änderungen vorbehalten.

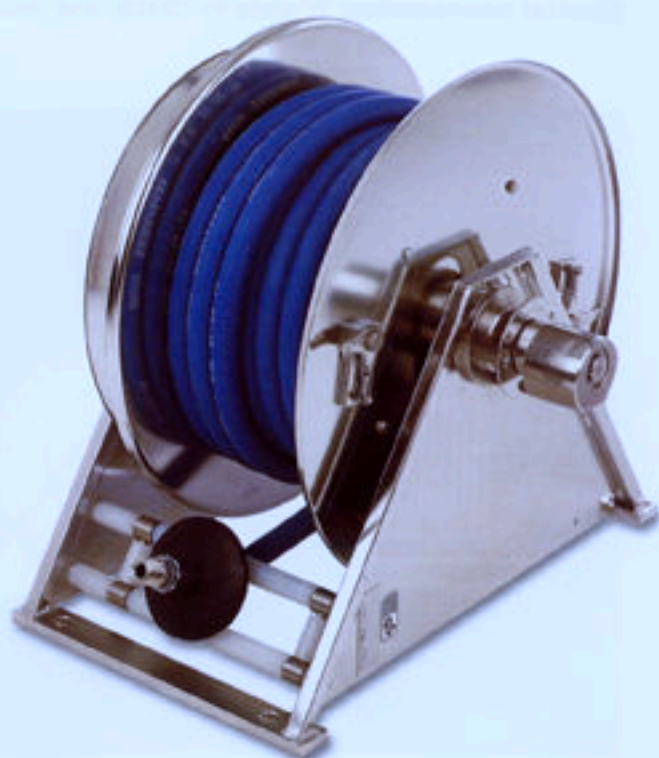


Braunwarth & Co. Apparatebau
Heiligenbreite 46, D-88662 Überlingen
Postfach 101153, D-88641 Überlingen
Tel. ++49 (0) 75 51 / 9 18 79-0, Fax 9 18 79-27
Internet: www.braunwarth.com
E-mail: info@braunwarth.com

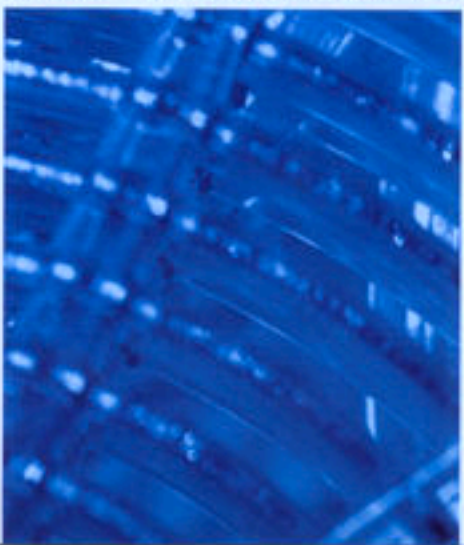
VA 5000 Series Stainless Steel Hose Drum

... the flexible connection from the fixed
supply line to the location of use.

for hose lengths of 10 m - 30 m.



...mehr als nur aufgerollt.



Benefits:

Special system for hygienic operations such as hospitals,
industrial kitchens, slaughter houses ...

... and for the production of caustic media,
e.g. the chemical industry;

100 % stainless steel construction;

Ratchet with 2 positions per revolution;

Quick-change hose system;

Available with or without hose;

Special designs possible depending on operation requirements.



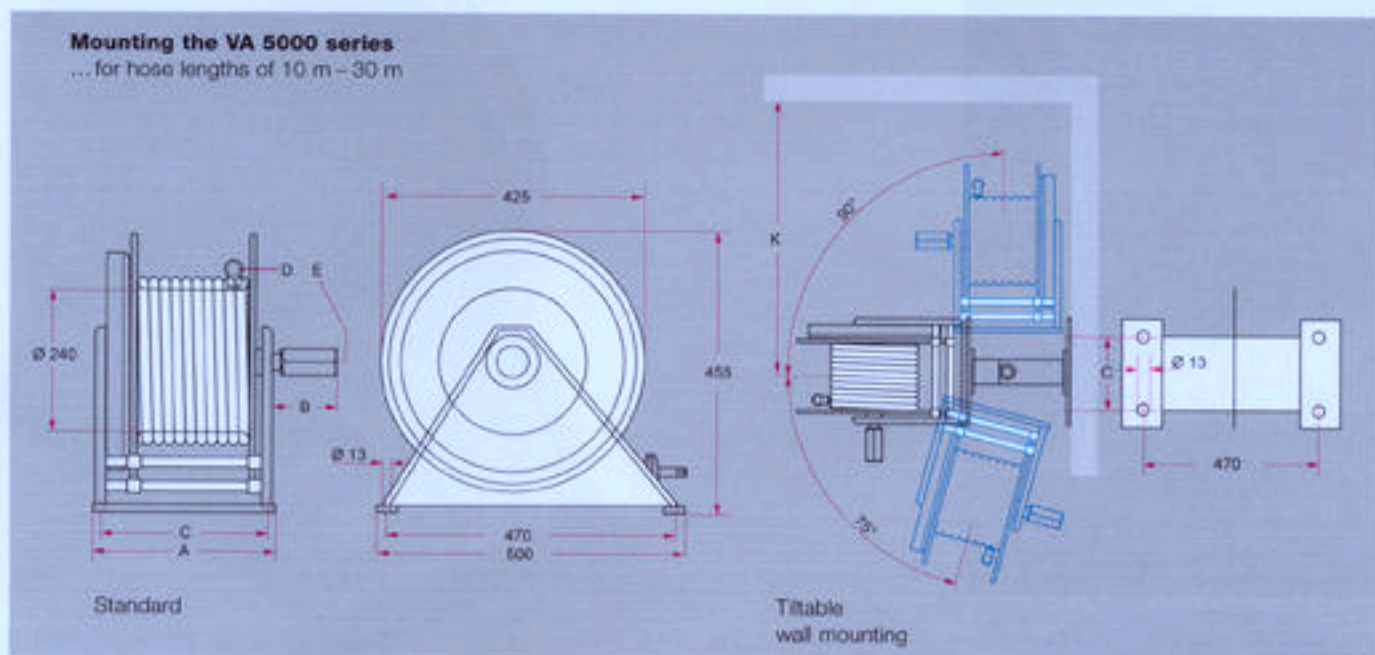
VA 5000 Series Stainless Steel Hose Drum

... Special system for hygienic operations and caustic media.

Technical details

Operating pressure for oil/water/grease = 60 bar, for high-pressure water up to 200 °C = 250 bar;
 Open construction; suitable for floor, ceiling or wall mounting, tiltable wall mounting also possible;
 Special rotatable joint and simple and reliable locking mechanism;

Special accessories: W-plate for tiltable wall mounting.



model	hose length / (m)	DN (mm)	operating pressure bar	screw connection D	input E	size A mm	size B mm	size C mm	size K mm	weight approx. kg
Compressed air/oil/ water										
VA 5.10.13	10	13	60	G 1/2"i	G 1/2"i	265	90	240	435	20
VA 5.15.13	15	13	60	G 1/2"i	G 1/2"i	305	90	215	435	24
VA 5.20.13	20	13	60	G 1/2"i	G 1/2"i	305	90	215	435	25
VA 5.10.19	10	19	60	G 3/4"i	G 3/4"i	305	110	215	435	24
High-pressure water up to 90°C or up to 200°C										
VA 5.10.08	10	8...10	250	G 3/8"a	G 1/2"i	265	85	240	435	20
VA 5.15.08	15	8...10	250	G 3/8"a	G 1/2"i	305	85	215	435	24
VA 5.20.08	20	8...10	250	G 3/8"a	G 1/2"i	305	85	215	435	26
VA 5.30.08	30	8...10	250	G 3/8"a	G 1/2"i	395	85	215	435	30

We reserve the right to make technical changes.



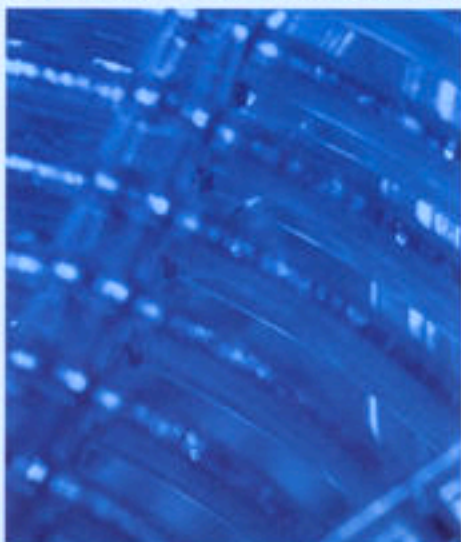
Braunwarth & Co. Apparatebau
 Heiligenbreite 46, D-88662 Überlingen
 Postfach 101153, D-88641 Überlingen
 Tel. ++49(0) 75 51 / 9 18 79-0, Fax 9 18 79-27
 internet: www.braunwarth.com
 E-mail: info@braunwarth.com

BT5000 Series Hose Drum

... the flexible connection from
the fixed supply line to the location of use
or
the tool for oil, grease, water or compressed
air.



... mehr als nur aufgerollt.



Benefits:

Tried-and-tested system based on decades of experience;

Sturdy metal construction with maintenance-free bearing;

Plastic-coated surfaces;

Ratchet with 2 positions per revolution;

Integrated hose-roll guidance system;

Large media throughlet corresponding to DN;

Special designs possible
depending on operational requirements.



BT5000 Series Hose Drum

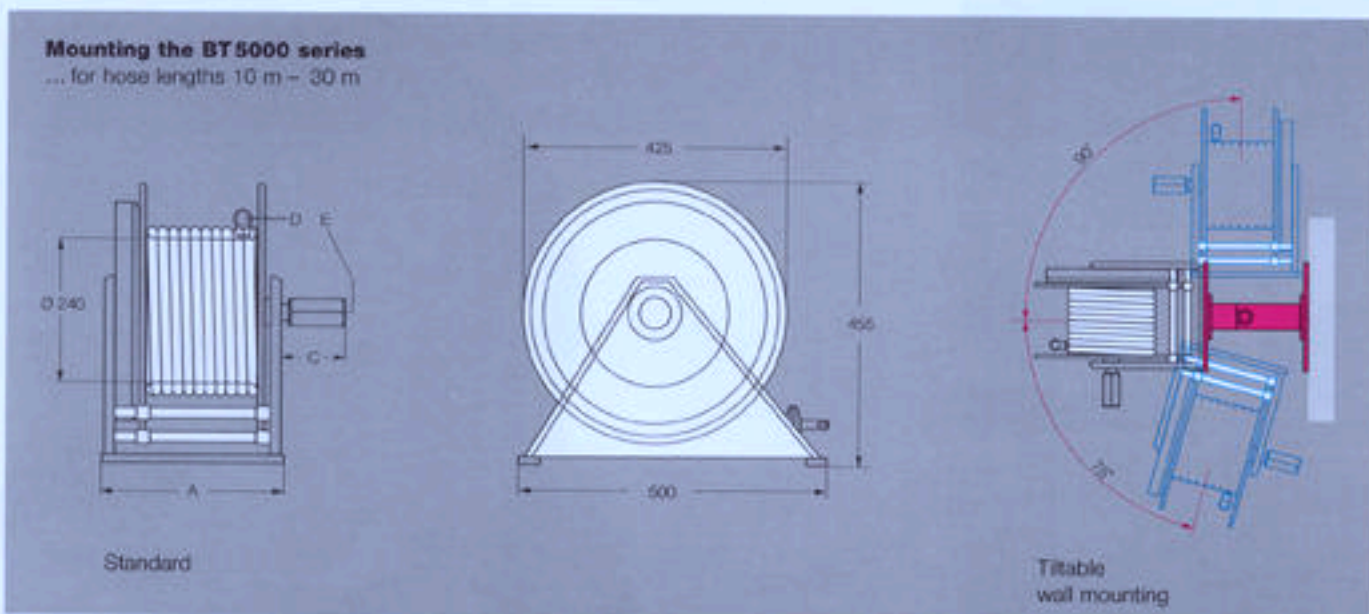
... the flexible connection from the fixed supply line to the location of use or the tool for oil, grease, water or compressed air.

Technical details

Operating pressure for oil/water/grease = 60 bar, for high-pressure water up to 200°C = 350 bar, for high-pressure grease = 400 bar;

Open construction; suitable for floor, ceiling or wall mounting, tiltable wall mounting also possible.

Special accessories: W-plate for tiltable wall mounting.



model	hose length / (m)	DN (mm)	operating pressure bar	screw connection D	input E	size A mm	size C mm	weight approx. kg
Compressed air/oil/water								
BT 5.10.13	10	13	60	G 1/2"i	G 1/2"i	265	90	19
BT 5.15.13	15	13	60	G 1/2"i	G 1/2"i	305	90	23
BT 5.20.13	20	13	60	G 1/2"i	G 1/2"i	305	90	25
BT 5.10.19	10	19	60	G 3/4"i	G 3/4"i	305	110	23
High-pressure water up to 90°C or up to 200°C								
BT 5.10.08	10	8...10	350	G 3/8"a	G 1/2"i	265	85	19
BT 5.15.08	15	8...10	350	G 3/8"a	G 1/2"i	305	85	22
BT 5.20.08	20	8...10	350	G 3/8"a	G 1/2"i	305	85	23
BT 5.30.08	30	8...10	350	G 3/8"a	G 1/2"i	395	85	32
High-pressure grease								
BT 5.10.06	10	6,4	400	M 10x1i	M 10x1i	265	45	18
BT 5.15.06	15	6,4	400	M 10x1i	M 10x1i	265	45	20
BT 5.20.06	20	6,4	400	M 10x1i	M 10x1i	305	45	25

We reserve the right to make technical changes.



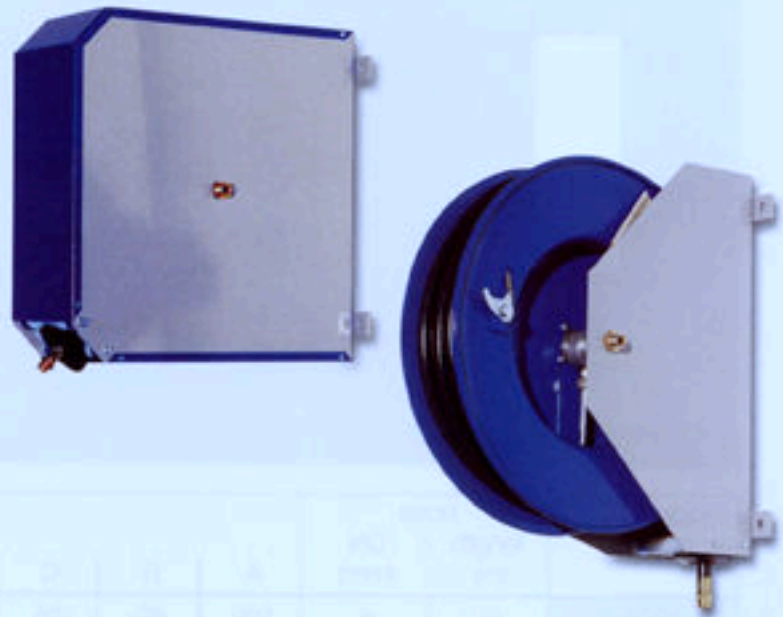
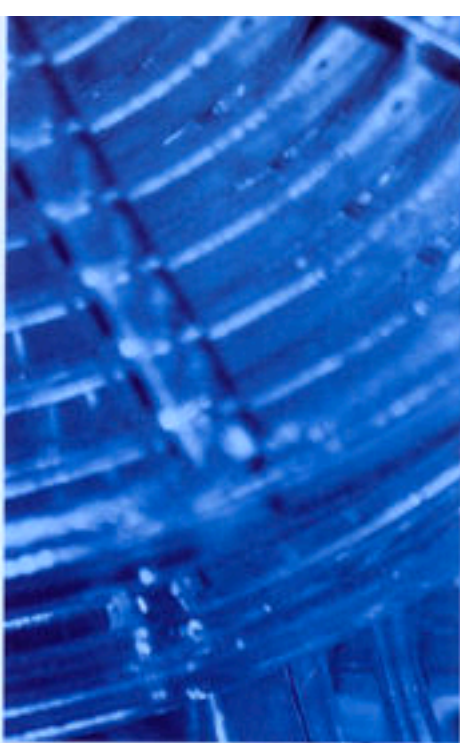
Braunwarth & Co. Apparatebau

Heiligenbreite 46, D-88662 Überlingen
Postfach 101153, D-88641 Überlingen
Tel. ++49 (0) 75 51 / 918 79-0, Fax 918 79-27
Internet: www.braunwarth.com
E-mail: info@braunwarth.com

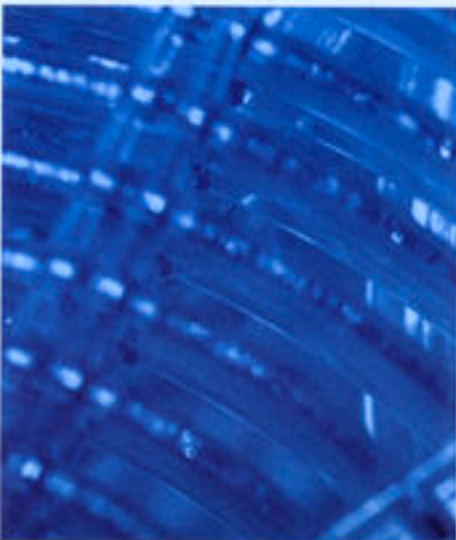
BT4000 Series Hose Drum

... the flexible connection from the fixed compressed air supply line to the tool.

for hose lengths of 8 m - 20 m.



... mehr als nur aufgerollt.



Benefits:

Tried-and-tested system based on decades of experience;

Sturdy metal construction with maintenance-free bearing;

Plastic-coated surfaces;

Ratchet with 2 positions per revolution;

High-quality PVC hoses with NW6 and NW9;

Upgrade accessories for each specific operational requirement.



BT 4000 Series Hose Drum

... the flexible connection from the fixed compressed air supply line to the

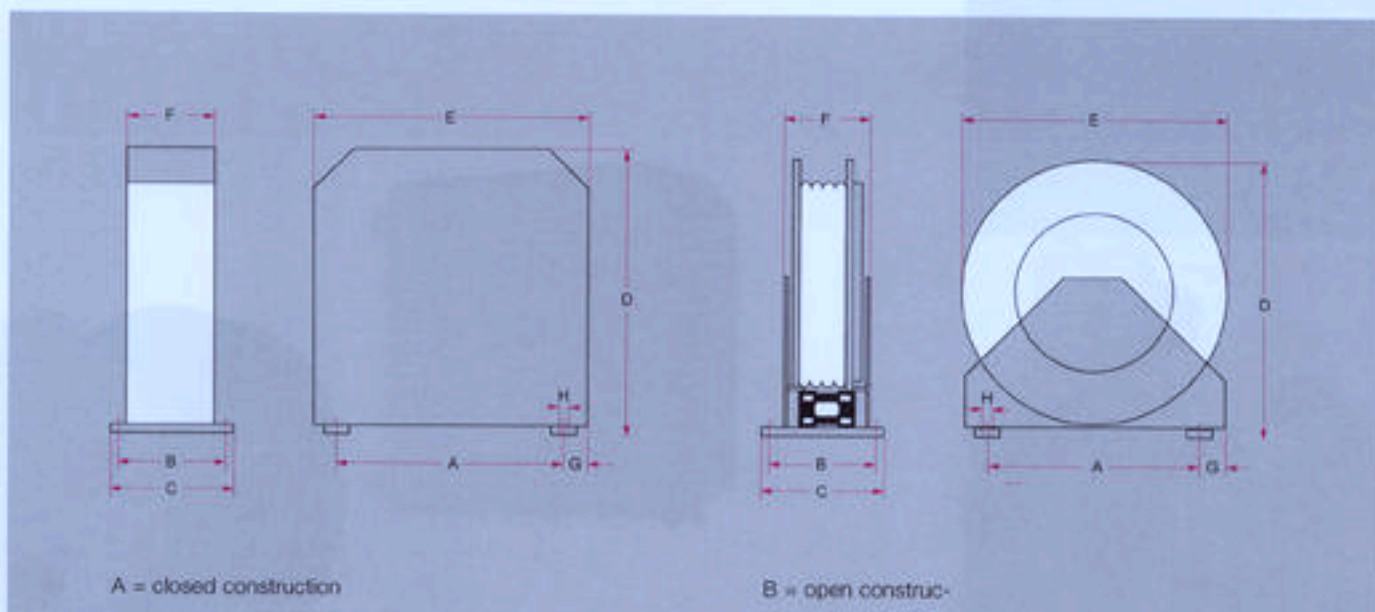
Technical details

Operating pressure 20 bar with specially designed oil and petrol-resistant PVC hose;

For static, floor, wall or ceiling mounting;

Open or closed construction depending on area of use or operational requirements;

Special accessories: W-plate for tiltable wall mounting.



model	hose length / DN (m) / (mm)	dimensions mm									weight approx. kg
		A	B	C	D	E	F	G	H-Ø		
BT 4024-B	2 / 4	100	40	75	116	114	75	7	6,5	1,4	
BT 4086-A	8 / 6	265	140	160	335	325	115	30	8,5	10,5	
BT 4086-B		240			315	300				8,5	
BT 4126-A	12 / 6	300	140	160	375	360	115	30	8,5	12,0	
BT 4126-B		280			355	340				10,0	
BT 4206-A	20 / 6	310	160	190	400	395	140	45	11	18,5	
BT 4206-B						400				16,5	
BT 4089-A	8 / 9	300	140	160	370	365	115	30	8,5	12,0	
BT 4089-B		280			355	340				9,0	
BT 4129-A	12 / 9	310	160	190	400	400	140	45	11	16,5	
BT 4129-B						400				14,5	
BT 4209-A	20 / 9	375	160	190	455	450	150	45	11	21,5	
BT 4209-B					445					20,0	

Media connection thread for all types G 3/8" external;

Hose connection thread for NW6 = G 1/4" external, for NW9 = G 3/8" external.

We reserve the right to make technical changes.



Braunwarth & Co. Apparatebau

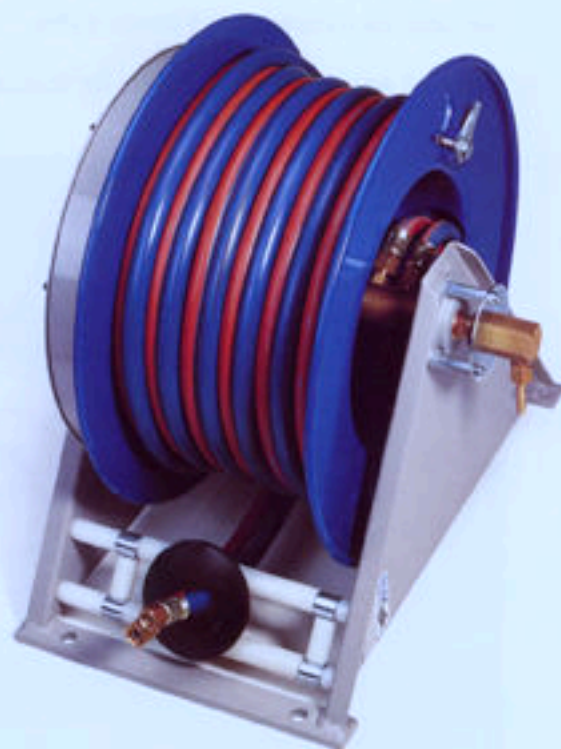
Heiligenbreite 46, D-88662 Überlingen
 Postfach 101153, D-88641 Überlingen
 Tel. ++49 (0) 75 51 / 9 18 79-0, Fax 9 18 79-27
 Internet: www.braunwarth.com
 E-mail: info@braunwarth.com



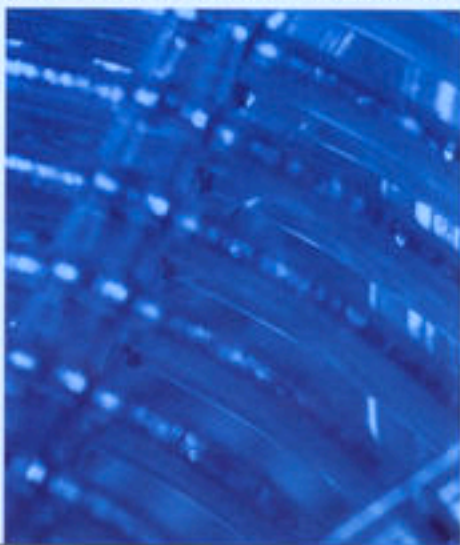
BT7000 Series Hose Roller

... the flexible connection from the location
of use to the oxy-acetylene job point.

for hose lengths of 8 m - 30 m.



... mehr als nur aufgerollt.



Benefits:

Tried-and-tested system based on decades of experience;

Sturdy metal construction with maintenance-free bearing,

Axle and rotating parts in copper;

Plastic-coated surfaces;

Ratchet with 2 positions per revolution;

Special designs possible
depending on operational requirements.



BT 7000 Series Hose Roller

... the flexible connection from the location of use to the oxy-acetylene job point.

Technical details

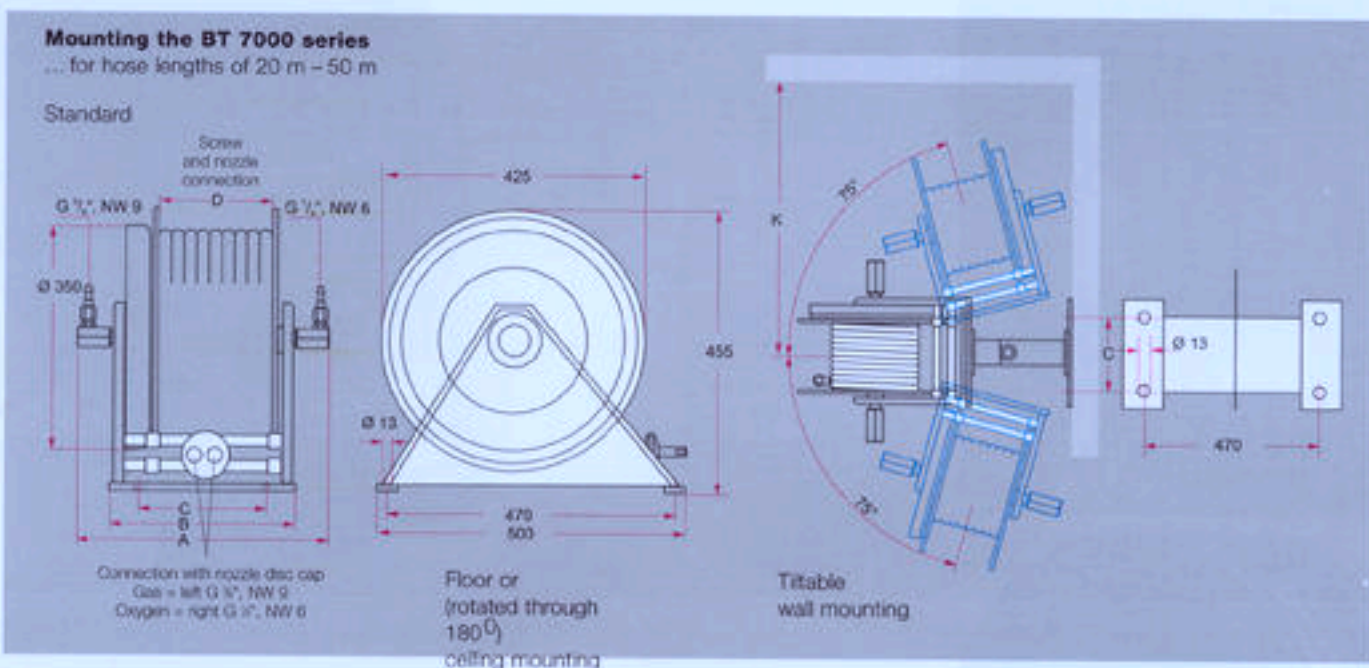
All models fitted with special NW6/9 double hoses according to DIN 8541-1/EN 559;

Open construction; suitable for floor, ceiling or wall mounting,

tiltable wall mounting also possible;

Can also be mounted on a bottle trolley.

Special accessories: W-plate for tiltable wall mounting.



model	hose length / DN (m) / (mm)	operating pressure bar	size A mm	size B mm	size C mm	size D mm	size K mm	weight approx. kg
BT 7008	8 / 6/9	15/10	310	265	240	100	435	23
BT 7010	10 / 6/9	15/10	310	265	240	100	435	25
BT 7015	15 / 6/9	15/10	420	305	215	185	435	32
BT 7020	20 / 6/9	15/10	420	305	215	185	435	36
BT 7025	25 / 6/9	15/10	500	395	300	275	435	41
BT 7030	30 / 6/9	15/10	500	395	300	275	435	47

We reserve the right to make technical changes.



Braunwarth & Co. Apparatebau

Heiligenbreite 46, D-88662 Überlingen
Postfach 101153, D-88641 Überlingen
Tel. ++ 49 (0) 75 51 / 9 18 79-0, Fax 9 18 79-27
Internet: www.braunwarth.com
E-mail: info@braunwarth.com